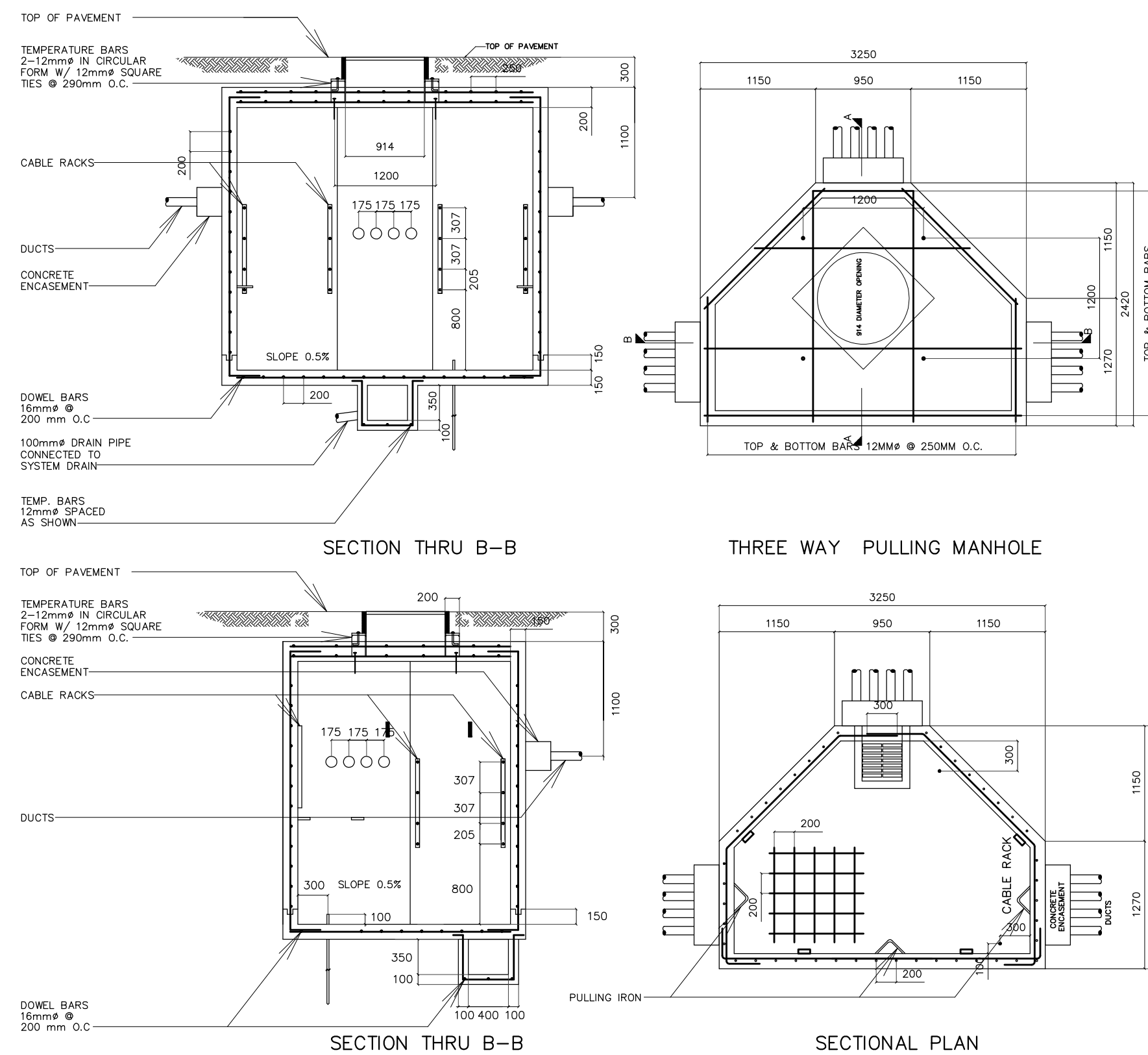
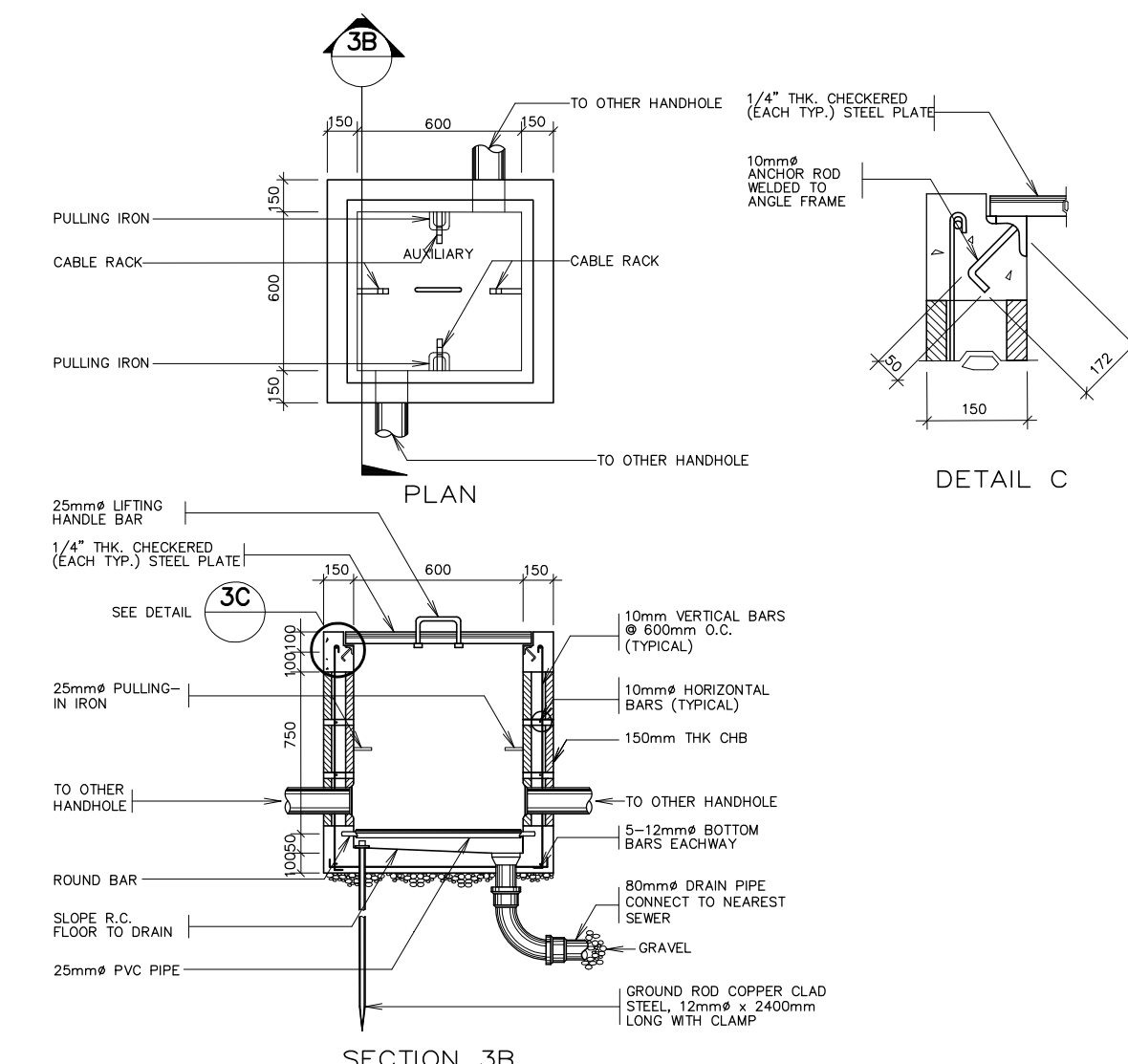


1 CONCRETE PEDESTAL AND CONCRETE ENCASEMENT DUCT DETAILS
E-4 SCALE NTS

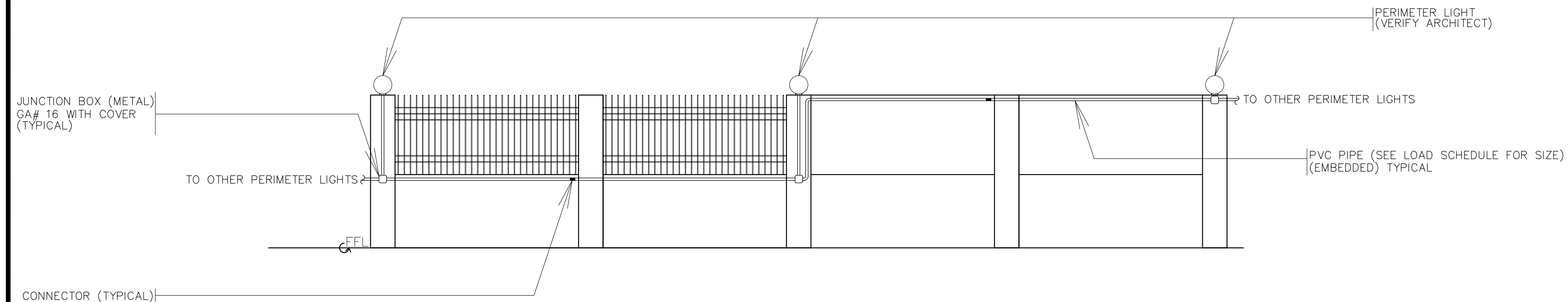


2 THREE-WAY MAHNOLE DETAILS
E-4 SCALE NTS

- NOTES:**
1. MANHOLE DETAILS IS FOR REFERENCE ONLY AND SHALL BE SUBJECT TO REVIEW AND APPROVAL BY THE SERVICE PROVIDER.
 2. ANY ALTERATIONS IN THE DESIGN SCHEME MUST STRICTLY COMPLY WITH THE LOCAL POWER UTILITY BY LAWS, AND UTILITY COMPANY CONCERNED.



3 AUXILIARY HANDHOLE DETAILS
E-4 SCALE NTS



3 PERIMETER LIGHTS CONDUIT RUN DETAILS
E-4 SCALE NTS

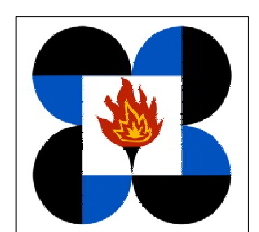
APPENDIX D

FOR CONSTRUCTION
 MELISA R. RAMIREZ
 AUTHORIZED MANAGER OFFICER DATE



ENGINEER:	
ARMANDO S. CALAGUAS PROFESSIONAL ELECTRICAL ENGINEER	
PRC NO.: 2375	ISSUED ON: 09-24-90
PTR NO.: 2353110	ISSUED ON: 01-03-17
TIN NO.: 146-594-412	ISSUED AT: QUEZON CITY

PROJECT TITLE:
SITE DEVELOPMENT (Development of Campus Master Plan, Construction of Road Network)
LOCATION: MIMAROPA REGION CAMPUS ODIONGAN, ROMBLON



REPUBLIC OF THE PHILIPPINES
 DEPARTMENT OF SCIENCE AND TECHNOLOGY
 PHILIPPINE SCIENCE HIGH SCHOOL
 MIMAROPA REGION CAMPUS
 BRGY. RIZAL, ODIONGAN, ROMBLON

APPROVED:

 EDWARD C. ALBARACIN
 CAMPUS DIRECTOR

DESIGNED BY: ACE	05/19/17	REVISIONS
ENCODED BY: ACE	05/19/17	
CHECKED BY: ASC	05/19/17	
APPROVED BY: ASC	05/19/17	
DATE ISSUED: 06/01/17		
SCALE: AS SHOWN		
PROJECT NO.: RBR_SD122916-RBRA-PSM-D-004		

SHEET CONTENTS	SHEET NO.
AS SHOWN	E
THIS DOCUMENT IS AN INSTRUMENT OF PROFESSIONAL SERVICE AND AS SUCH MAY NOT BE REPRODUCED IN WHOLE OR IN PART WITHOUT THE WRITTEN CONSENT OF THE ARCHITECT. -R.A. 545	4 5